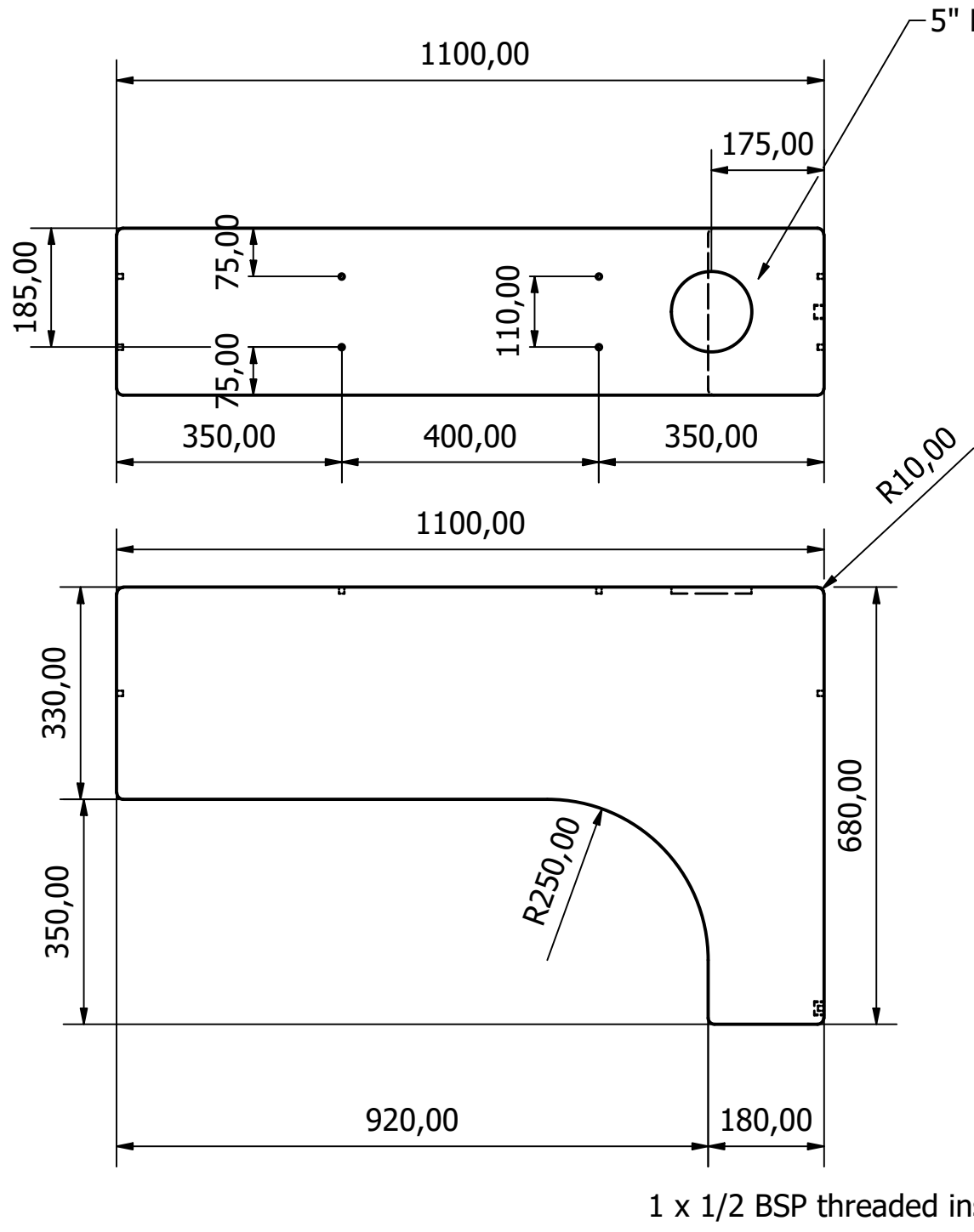
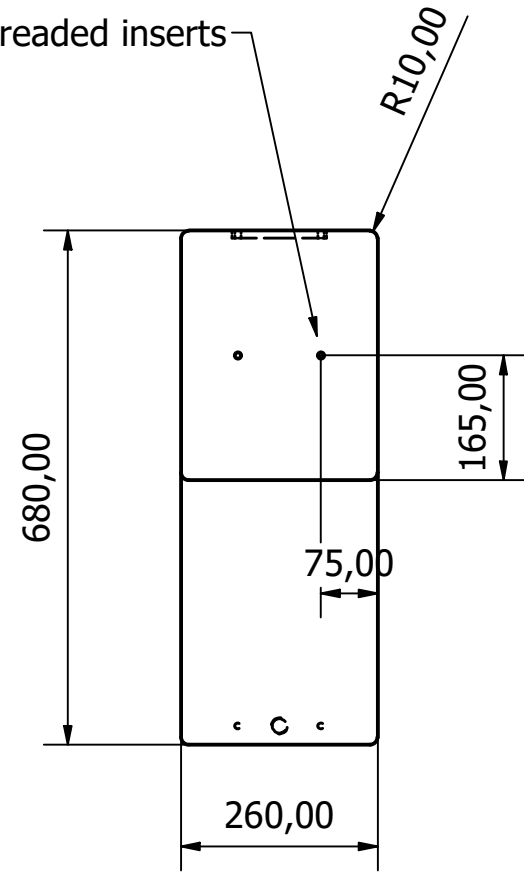
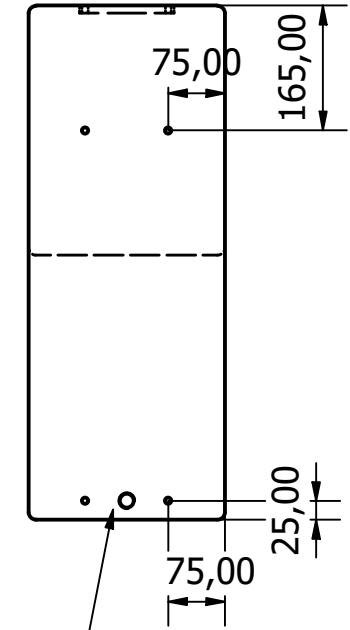
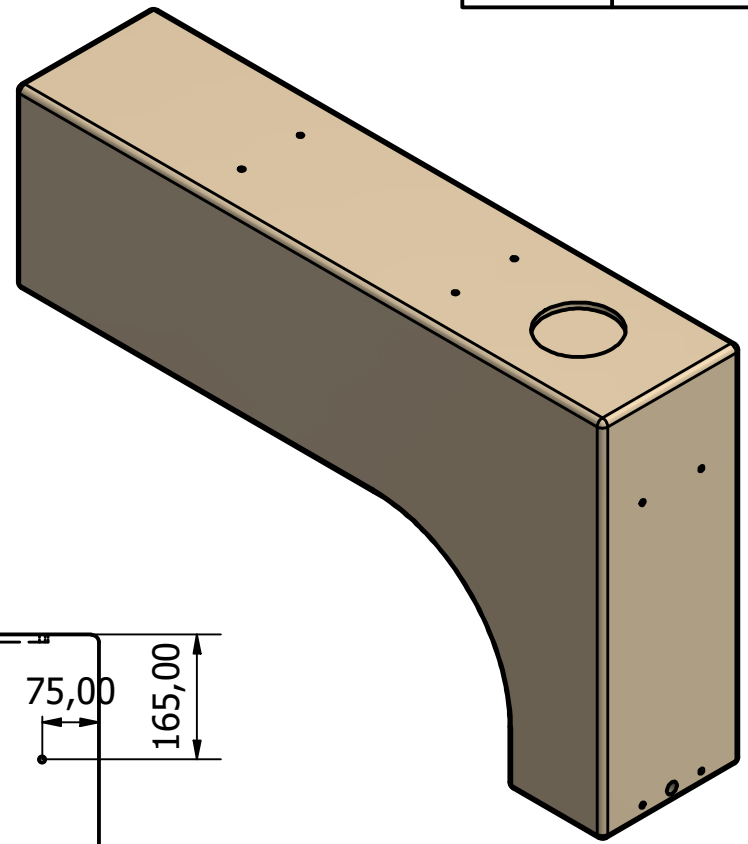


Material	
Qty Req'd	

10 x M8 threaded inserts



5" Non Vented Lid



1 x 1/2 BSP threaded insert

REV	ZONE	DESCRIPTION	DATE

CUSTOMER:		
PROJECT: 100 Litre Wheel Arch Tank		
DRAWN DATE: 08/07/2020	DESIGNED BY:	CHECKED BY:
SHEET 1 OF 1	REV A	DRAWING NO: